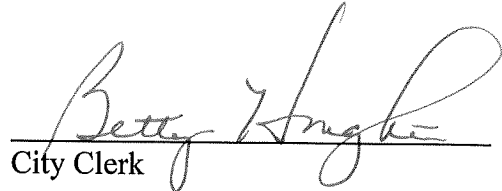


CERTIFICATION

I, Betty Houghton, Clerk of the City of Richmond do hereby certify that, the above Resolution 09-36 is a true and correct copy as was presented to the Richmond Board of Commissioners of the City of Richmond at their regular schedule meeting dated October
27, 2009.

Given under my hand this 27 day of October, 2009.


City Clerk

(SEAL)

RECEIVED AND FILED
DATE Oct. 30, 2009

TREY GRAYSON
SECRETARY OF STATE
COMMONWEALTH OF KENTUCKY
BY Handie Addison

RESOLUTION 09-36

AN RESOLUTION ADOPTING A MODERN AND ACCURATE LEGAL DESCRIPTION OF TERRITORY PREVIOUSLY ANNEXED BY ORDINANCE

WHEREAS, the City of Richmond has enacted numerous ordinances annexing property into the corporate limits of the City of Richmond; and

WHEREAS, each individual annexation contains a prior survey of prepared by now unknown individual, and further references documentation that is no longer in existence, and

WHEREAS, the City wishes to provide a modern, accurate, easily identifiable legal description reflecting bearings and coordinates based upon the state plane coordinate system, including relevant GPS and GIS data, same having been certified by a professional land surveyor for each prior annexation; and

WHEREAS, the City wishes to comply with the requirements of Amended KRS 81A.470 effective July 13, 2004, and

WHEREAS, the City does not intend to amend or replace its prior ordinance annexing, but rather to interpret the defined boundaries of the territory previously annexed and adopt a modern and accurate legal description of territory previously annexed.

NOW THEREFORE, BE IT RESOLVED BY THE CITY COUNCIL OF THE CITY OF RICHMOND, KENTUCKY:

SECTION 1. That the Richmond Board of Commissioners of the City of Richmond hereby adopts the following legal description, and a plat attached hereto as prepared by Dwayne Wheatley, Licensed Professional Land Surveyor No. 3265 as an accurate depiction of the property previously annexed into the corporate city limits of the City of Richmond by Ordinance 94-34 dated July 19, 1994, a copy of which is attached and hereby adopts said new legal description and plat as the official legal description and plat to be adopted by the City for all purpose when referencing this prior annexation.

SECTION 2. This new legal description as prepared by Dwayne Wheatley a Licensed Professional Land Surveyor No. 3265 is as follows:

Note: The following legal description is an accurate representation of the subject property as per listed ordinance and resolution. The legal description is based upon information provided to Abacus Engineering and Land Surveying, Inc., by the City of Richmond. This legal description is not intended to comply with 201 KAR 18:150 and as such shall not be used in connection with the sale or transfer of land.

A certain tract of land situated on the south side of an Old County Road east of U.S. Highway 25 and south of Richmond By-Pass in the Commonwealth of Kentucky, County of Madison consisting of 1.65 acres and described as follows:

The point of beginning being at an iron pin in the south line of Old County Road, a corner to Frank Shoop Pontiac-Buick-GMC-Jeep-Eagle, thence leaving with the south line of County Road two (2) calls, S72°40'00"E 236.10 feet, S79°00'00"E 87.80 feet to an iron pin and corner to L.C. Taylor, thence with Taylor's line, S4°36'00"E 168.20 feet, to an iron pin and corner to Mrs. J.B. Arnett, thence with Arnett's line, S81°40'00"W 374.60 feet to an iron pin and corner to Arnett, thence continuing with Arnett and the line of Frank Shoop Pontiac-Buick-GMC-Jeep-Eagle, N13°14'00"W 46.60 feet to an iron pin and corner to Shoop, thence continuing with Shoop's line, N76°46'00"E 100.00 feet, N9°41'00"W 244.27 feet to the point of beginning containing 1.65 acres more or less.

This Resolution shall be in full force and effect upon reading and adoption by the City of Richmond Board of Commissioners.

DATE OF READING: *October 27, 2007*
MOTION BY: *Brewer*
SECONDED BY: *Blythe*

VOTE:	YES	NO
Commissioner Blythe	x	
Commissioner Brewer	x	
Commissioner Smart	x	
Commissioner Strong	<i>Absent</i>	
Mayor Lawson	x	

Constance Lawson

Mayor

ATTEST:

Betty Knight

City Clerk



P.O. Box 1164, Richmond, Kentucky 40476
236 Boggs Lane, Suite 4

"Surveys you can count on."

**LEGAL DESCRIPTION FOR
RESOLUTION 09-36
(ORDINANCE 94-34)**


Note: The following legal description is an accurate representation of the subject property as per listed ordinance and resolution. The legal description is based upon information provided to Abacus Engineering and Land Surveying, Inc., by the City of Richmond. This legal description is not intended to comply with 201 KAR 18:150 and as such shall not be used in connection with the sale or transfer of land.

A certain tract of land situated on the south side of an Old County Road east of U.S. Highway 25 and south of Richmond By-Pass in the Commonwealth of Kentucky, County of Madison consisting of 1.65 acres and described as follows:

The point of beginning being at an iron pin in the south line of Old County Road, a corner to Frank Shoop Pontiac-Buick-GMC-Jeep-Eagle, thence leaving with the south line of County Road two (2) calls, S72°40'00"E 236.10 feet, S79°00'00"E 87.80 feet to an iron pin and corner to L.C. Taylor, thence with Taylor's line, S4°36'00"E 168.20 feet, to an iron pin and corner to Mrs. J.B. Arnett, thence with Arnett's line, S81°40'00"W 374.60 feet to an iron pin and corner to Arnett, thence continuing with Arnett and the line of Frank Shoop Pontiac-Buick-GMC-Jeep-Eagle, N13°14'00"W 46.60 feet to an iron pin and corner to Shoop, thence continuing with Shoop's line, N76°46'00"E 100.00 feet, N9°41'00"W 244.27 feet to the point of beginning containing 1.65 acres more or less.



Dwayne Wheatley, PE, LS (L.S. 3265)



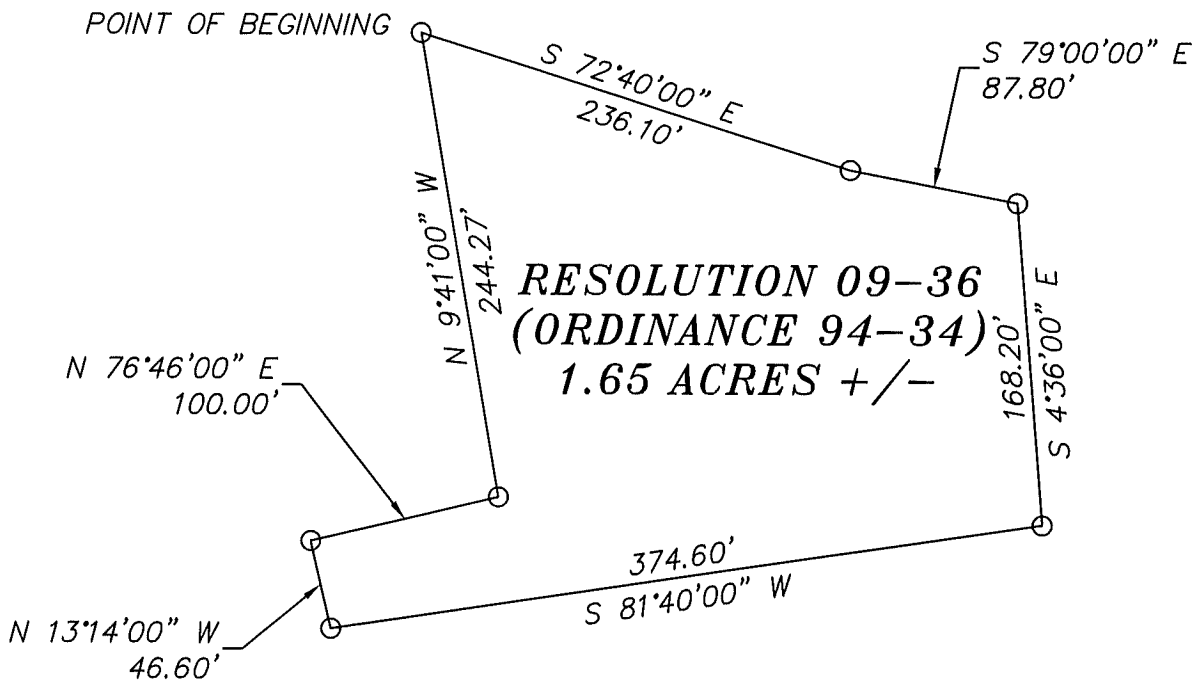
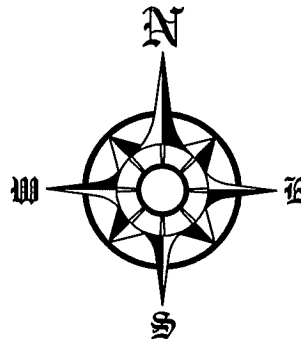
Date

SURVEYOR'S CERTIFICATION STATEMENT

I hereby certify that this Plat has been drawn by me, or persons under my direct control and supervision, and reviewed by me. It is an accurate graphical representation delineating the limits of the subject property as per the ordinance listed below. This plat is not intended to comply with 201 KAR 15:150 and as such shall not be used in connection with the sale or transfer of land. This plat does not represent a boundary survey as performed by Abacus Engineering and Land Surveying, Inc. and shall not be recorded in the Madison County Clerk's Office.

ABACUS ENGINEERING & LAND SURVEYING, INC.

FIRM
 OWNER  DATE 6/23/09



STATE OF KENTUCKY
 DWAYNE WHEATLEY
 3265
 LICENSED PROFESSIONAL LAND SURVEYOR

 6/23/09



Abacus
 Engineering & Land Surveying
 236 Boggs Lane, Suite 4
 Richmond, KY 40475
 P: (859) 625-1200 ~ F: (859) 625-1207

Project No.:	09-040
Scale:	1" : 100'
Drawn by:	JMR
Checked by:	DW
Date of Survey:	N/A
Date of Plat:	8JUN2009
Date of Revision:	20OCT2009

"Not for Recording or Land Transfer"

ANNEXATION PLAT for

RESOLUTION No. 09-36 (Ord. No. 94-34)

Property between 1017 & 908 Commercial Drive

Richmond, Madison County, Kentucky